

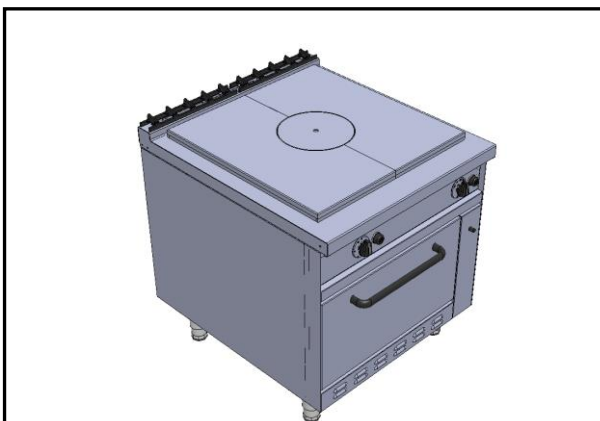


Total Food-Service Solutions

Modular Cooking –Grandis 900

Gas Hot Top

NGHT 8-90 GR



*Due to routine technical improvement, the photograph shown may not represent the latest design of the products.

AVAILABLE MODEL

1. NGHT 8-90 OC GR
2. NGHT 8-90 GR

DESCRIPTION

Gas Hot Top with 14 kW power rate or 22 kW power rate. Working temperature maintained by thermostat with maximum working temperature of 310°C.

Unit to be installed on open cabinet or similar elements, cantilever, or solid block solutions. Featuring removable clip joint to connect Grandis family product.

ITEM# : _____

MODEL# : _____

NAME : _____

SN : _____

MAIN FEATURE

- Hot top made of thick 18 mm 16Mo5 steel.
- Griddle made of three pieces.
- Removable center griddle, hot top convertible as wok range.
- Oven handle made from non heating material, to prevent burn injury during high temperature operation.
- Easy oven hinge, which is removable for easier cleaning and maintenance of Oven.

CONSTRUCTION

- All exterior panels in 304 type of Stainless Steel
- Orbital top panel anti-scratch finishing.
- Top with 2.0 mm thick surface.
- Side with 0.8 mm thick surface.
- Adjustable ±25 mm Stainless Steel leg.

INCLUDED ACCESSORIES

- Grill Oven
- Extra Nozzle
- Lifting for Hanging Hot Top Plate

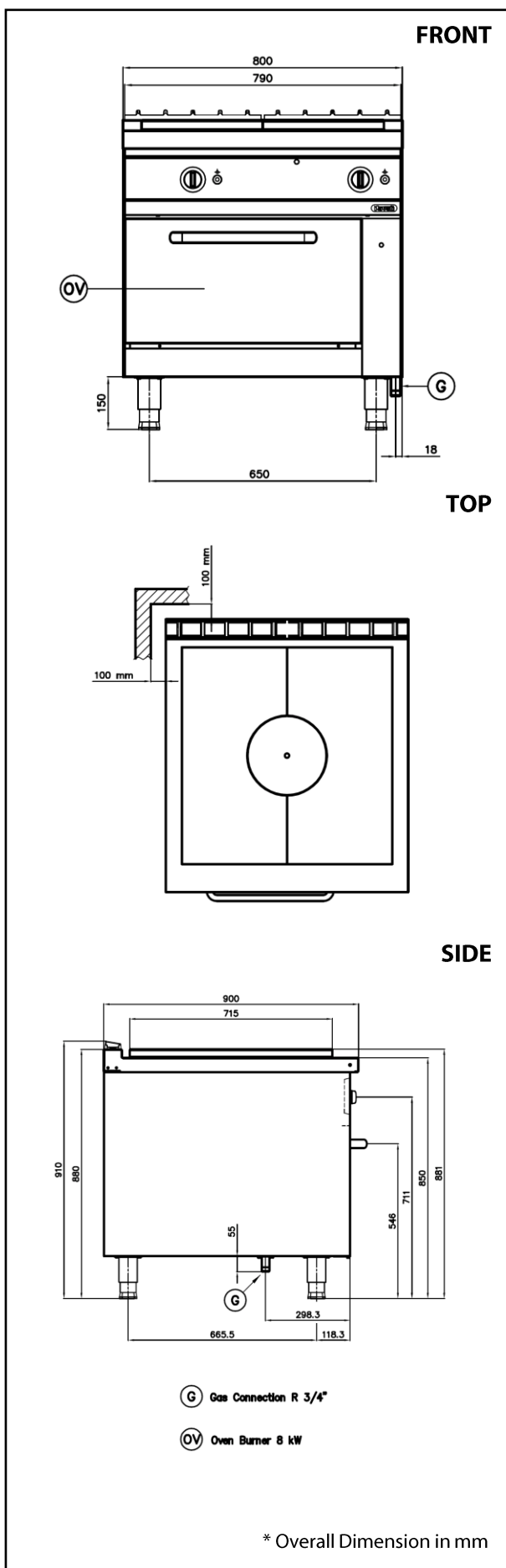
OPTIONAL ACCESSORIES

- Clip Plate for Joining

: _____

The company reserves the right to make modifications to the products without prior notice. All information correct at time of printing. 2017.12.16





GAS

Gas Power	:	14 kW
		(12,040kCal/h)
With Oven	:	22 kW
		(18,920kCal/h)
Gas Type Option	:	G30/G31, G20
Gas Inlet	:	R 3/4"
Natural Gas-Pressure	:	G20: 20 mbar
LPG Gas Pressure	:	28-30 mbar/ 37 mbar

KEY INFORMATION

Cooking Surface Hot Top (mm):	:	694x715 mm
Cooking Surface Oven (mm)	:	575x666x305
Direct Heat Emission	:	4.20 kW
Direct Heat Emission (Oven)	:	2.80 kW
Latent Heat Emission	:	1.68 kW
Latent Heat Emission (Oven)	:	1.60 kW
Steam Emission	:	2.46kg / h
Steam Emission (Oven)	:	2.35 kg/h
Min. Working Temperature	:	100°C
Max. Working Temperature	:	310°C
Net weight	:	179 kg
Shipping height	:	1020 mm
Shipping width	:	855 mm
Shipping depth	:	995 mm
Shipping volume	:	0.868 m ³